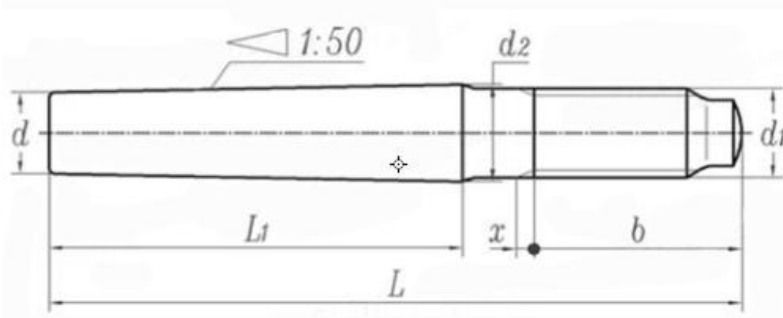


DIN258 Chốt côn có ren



d		Φ5	Φ6	Φ8	Φ10	Φ12	Φ14	Φ16	Φ20	Φ25	Φ30	Φ40	Φ50
d	Max	5.000	6.000	8.000	10.000	12.000	14.000	16.000	20.000	25.000	30.000	40.000	50.000
	Min	4.952	5.952	7.942	9.942	11.930	13.930	15.930	19.916	24.916	29.916	39.900	49.900
b	Min	14	18	22	24	27	30	35	35	40	46	58	70
	Max	15.6	20	24.5	27	30.5	33.5	39	39	45	52	65	78
d2		5.5	6.6	8.8	10.9	13.1	15.3	17.4	21.7	27	32.2	42.6	53
d1		M5	M6	M8	M10	M12	M12	M16	M16	M20	M24	M30	M36
L1	L N	25	30	40	45	55	65	72	85	100	110	130	150
	Min	24.8	29.8	39.7	44.7	54.7	64.7	71.7	84.7	99.7	109.7	129.5	149.5
	Max	25.2	30.2	40.3	45.3	55.3	65.3	72.3	85.3	100.3	110.3	130.5	150
Length L													
40		X											
45		X	X										
50		X	X										
55			X										
60			X	X									
65				X	X								
75				X	X								
85					X	X	X						
100					X	X	X						
120						X	X	X	X				
140						X	X	X	X	X			
160								X	X	X	X		
190									X	X	X	X	
220										X	X	X	X
250										X	X	X	X
280											X	X	X
320												X	X
360													X
Material:Stainless Steel													
How to order : DIN 258 -d-L . Order example: DIN 258 -5-40.													